



Technical Standards and Safety Authority
 345 Carlingview Drive
 Toronto, Ontario M9W 6N9
 www.tssa.org

Show facsimile of manufacturer's logo or trademark, as it will appear on the fitting, in the space below



STATUTORY DECLARATION Registration of Fittings

I, Joel Feldman, Vice President of Engineering
(Name and Position, e.g. President, Plant Manager, Chief Engineer)

of Swagelok Company
(Name of Manufacturer)

Located at 29500 Solon Road, Solon, Ohio 44139 USA (440) 248-4600 (440) 349-5970
(Plant Address) (Telephone No.) (Fax No.)

do solemnly declare that the fittings listed hereunder, which are subject to the **Technical Standards and Safety Act**, Boilers and Pressure Vessels Regulation, comply with all of the requirements of ASME B31.1 for unlisted components, and ASME B31.3 for unlisted components
(Title of recognized North American Standard)
 which specifies the dimensions, materials of construction, pressure/temperature ratings, identification marking the fittings and service;

or are not covered by the provisions of a recognized North American standard and are therefore manufactured to comply with _____ as supported by the attached data which identifies the dimensions, material of construction, pressure/temperature ratings and the basis for such ratings, the marking of the fitting for identification and service.

I further declare that the manufacture of these fittings is controlled by a quality system meeting the requirements of ISO 9001:2015 which has been verified by the following authority, BSI

The items covered by this declaration, for which I seek registration, are category C. Valves type fittings. In support of this application, the following information and/or test data are attached as follows:
ISO 9001:2015 Certificate, Attachment A, Attachment B, Catalog Information and other Support Documents
(drawings, calculations, test reports, etc.)

Declared before me at Solon in the State of Ohio
 the 29th day of November AD 20 18.

Commissioner for Oaths:
Jamie L Ristan Jamie L. Ristan
(Printed name) Resident Portage County
Jamie L Ristan Notary Public, State of Ohio
(Signature) My Commission Expires: 03/06/2019

Joel C. Feldman
(Signature of Declarant)

FOR OFFICE USE ONLY
 To the best of my knowledge and belief, the application meets the requirements of the **Technical Standards and Safety Act**, Boilers and Pressure Vessels Regulation, and CSA Standard B51 and is accepted for registration in Category C.

Technical Standards and Safety Authority **Boilers and Pressure Vessels Safety Program**
REGISTERED
 C.R.N.: OC19221.25
 Signed: [Signature]
 Date: March 11, 2019

CRN: OC19221.25

Registered by: [Signature]

Dated: March 11, 2019

NOTE: This registration expires on: JAN 8, 2029

For scope of registration see attached documents. Attachment A and B. The registered relief valves cannot be used as primary.

Attachment B: Scope for Swagelok R Series Relief Valves (Category C)

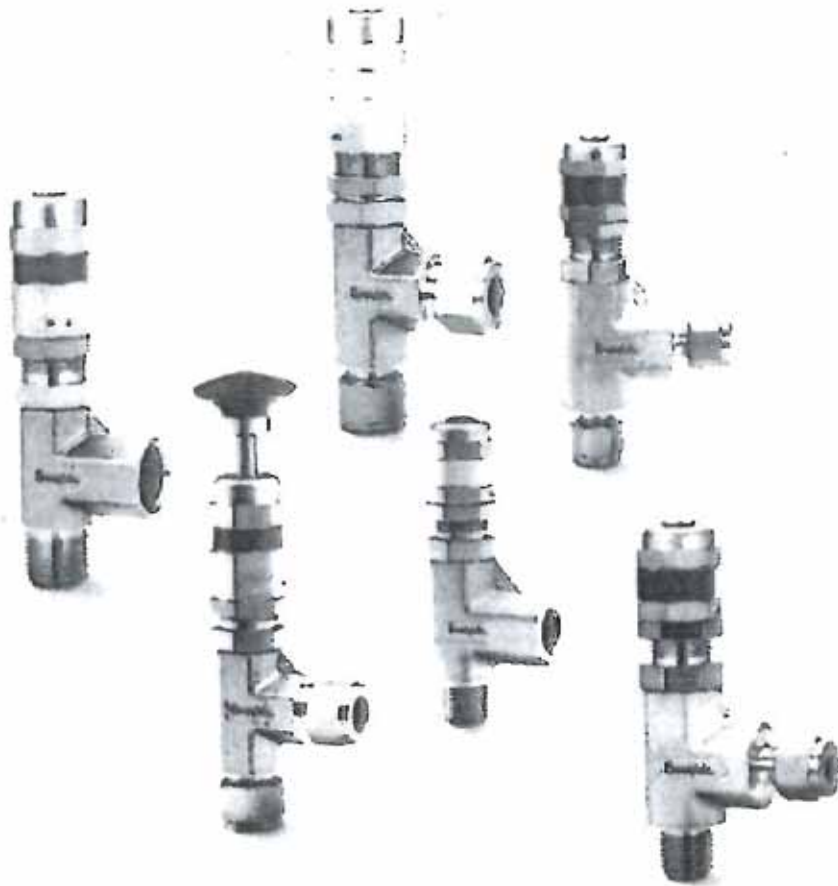
This document represents the scope of the R Series Relief Valves covered by this submission for CRN approval. The Swagelok R Series Relief Valves were designed and evaluated in accordance with ASME B31.1-2016 for unlisted components and ASME B31.3-2016 for unlisted components.

Summary Table

Product Description of Series	Main Pressure Bearing Component	Main Pressure Bearing Material	Port Connections and Sizes	Maximum Rated Pressure		Design Code of Construction
				At ambient temperature	At maximum temperature	
RL3	Body	F316 SS (ASTM A182)	Swagelok Tube Fitting 1/4", 6MM, 8MM Female NPT 1/4" Male NPT 1/4" Female ISO 1/4" Male ISO 1/4"	300 psi @ 100°F (inlet side) 225 psi @ 100°F (outlet side)	300 psi @ 300°F (inlet side) 225 psi @ 300°F (outlet side)	ASME B31.1 (Unlisted Components) and ASME B31.3 (Unlisted Components)
RL4	Body	F316 SS (ASTM A182)	Swagelok Tube Fitting 1/2", 12MM Female NPT 1/2" Male NPT 1/2"	300 psi @ 100°F (inlet side) 225 psi @ 100°F (outlet side)	300 psi @ 300°F (inlet side) 225 psi @ 300°F (outlet side)	ASME B31.1 (Unlisted Components) and ASME B31.3 (Unlisted Components)
R3A	Body	F316 SS (ASTM A182)	Swagelok Tube Fitting 1/4", 6MM, 8MM Female NPT 1/4" Male NPT 1/4" Female ISO 1/4" Male ISO 1/4"	6000 psi @ 100°F (inlet side) 1500 psi @ 100°F (outlet side)	4660 psi @ 300°F (inlet side) 1500 psi @ 300°F (outlet side)	ASME B31.1 (Unlisted Components) and ASME B31.3 (Unlisted Components)
R4	Body	F316 SS (ASTM A182)	Swagelok Tube Fitting 1/2", 12MM Female NPT 1/2" Male NPT 1/2"	6000 psi @ 100°F (inlet side) 2500 psi @ 100°F (outlet side)	1500 psi @ 300°F (inlet side) 1500 psi @ 300°F (outlet side)	ASME B31.1 (Unlisted Components) and ASME B31.3 (Unlisted Components)

THIS IS PART OF
 CRN OC19221.25
 Technical Standards & Safety Authority
 Boilers & Pressure Vessels
 Safety Program

Product Illustration



Product Options:

Some of the product options listed below affect the pressure-temperature ratings shown in the Summary Table, but in all cases the ratings are less than those shown in the Summary Table. All of the following options are within the scope of this registration:

Stem Seal Material

- Fluorocarbon (FKM) - standard
- Buna N
- Ethylene propylene
- Neoprene
- Perfluorocarbon (FFKM)

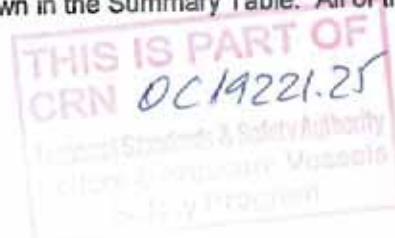
Quality System

The Swagelok Company quality system complies with the requirements of ISO 9001:2015. The Swagelok Company maintains BSI Certificate of Registration Number FM 01729, which applies to all locations listed on the Certificate.

References

The product catalog does not represent the full scope of registration, but rather details some of the most common options.

- R Series Relief Valve Catalog MS-01-141, Rev R



Attachment A. Swagelok Manufacturing Locations

This document lists the Swagelok locations where end item or component level manufacturing activities take place.

Swagelok Company 29500 Solon Road Solon, Ohio 44139 USA	Swagelok Company (Falon 1) 348 Bishop Road Highland Heights, Ohio 44143 USA
Swagelok Company (Highland) 318 Bishop Road Highland Heights, Ohio 44143 USA	Swagelok Company (Falon 2) 358 Bishop Road Highland Heights, Ohio 44143 USA
Swagelok Company (OFC) 29495 F.A. Lennon Drive Solon, Ohio 44139 USA	Swagelok Company (HPF) 6050 Cochran Road Solon, Ohio 44139 USA
Swagelok Company (Atlantic) 26651 Curtiss Wright Parkway Willoughby Hills, Ohio 44092 USA	Swagelok Company (Snow Metal) 6060 Cochran Road Solon, Ohio 44139 USA
Swagelok Company (Micro) 26653 Curtiss Wright Parkway Willoughby Hills, Ohio 44092 USA	Swagelok Company (Alfred) 29500 Ambina Drive Solon, Ohio 44139
Swagelok Hose Services Company (SHSC) 29900 Solon Industrial Parkway Solon, Ohio 44139	Swagelok Company (Strongsville) 15400 Foltz Road Strongsville, Ohio 44119
Swagelok (China) Fluid System Technologies Ltd. Changshu Export Process Zone Changshu Economic Development Zone Changshu, Jiangshu 215513 China	Swagelok Company A.G. (European Technology Center) St. GallerstraBe 84 Lachen, Switzerland 8853 Switzerland
Swagelok Limited Ballafletcher Road Tromode IM4 4RA Isle of Man	

THIS IS PART OF
CRN OC 19221.25
Technical Standards & Safety Authority
Boilers & Pressure Vessels
Safety Program