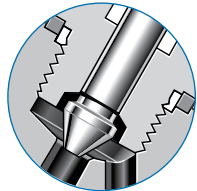


Distribution Manifold

J6 Series

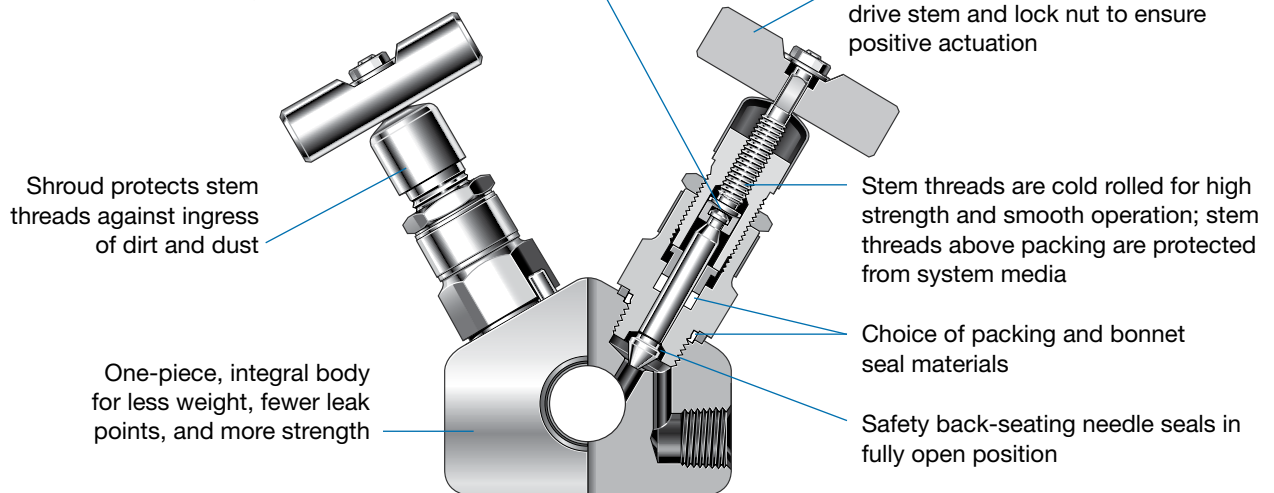
- Extruded stainless steel body rated for 6000 psig (413 bar) working pressure
- Compact, versatile manifold for gas and liquid applications
- Fewer potential leak points than conventional distribution manifolds
- Four to eighteen needle valves and outlet connections
- Mounting holes through the manifold to reduce stress on the piping system



Nonrotating hardened needle for positive shutoff



Two-piece knuckle joint enables nonrotating needle; joint is above packing, protected from system media



Shroud protects stem threads against ingress of dirt and dust

One-piece, integral body for less weight, fewer leak points, and more strength

Stainless steel handle with square drive stem and lock nut to ensure positive actuation

Stem threads are cold rolled for high strength and smooth operation; stem threads above packing are protected from system media

Choice of packing and bonnet seal materials

Safety back-seating needle seals in fully open position

Materials of Construction

Component	Grade/ASTM Specification
<i>Body, bonnets</i>	316/316L SS/A479
<i>Needles</i>	S17400 SS/A564 condition H1150D
<i>Packing, bonnet seals</i>	PTFE or graphite
<i>Lubricant</i>	Molybdenum disulfide in hydrocarbon carrier
Bonnet seal rings, gland nuts, shrouds, stems, glands, handles, handle lock nuts, handle washers, locking pins	316 SS
Gland lock nuts	300 series powdered metal SS

Wetted components listed in *italics*.

Testing

Every valve is hydrostatically tested at ambient temperature.

Options and Accessories

- Flanged inlet connections available
- Antitamper feature available
- Bleed/drain valve available
- Hydrostatic test certificates complete with full chemical and physical material certifications available

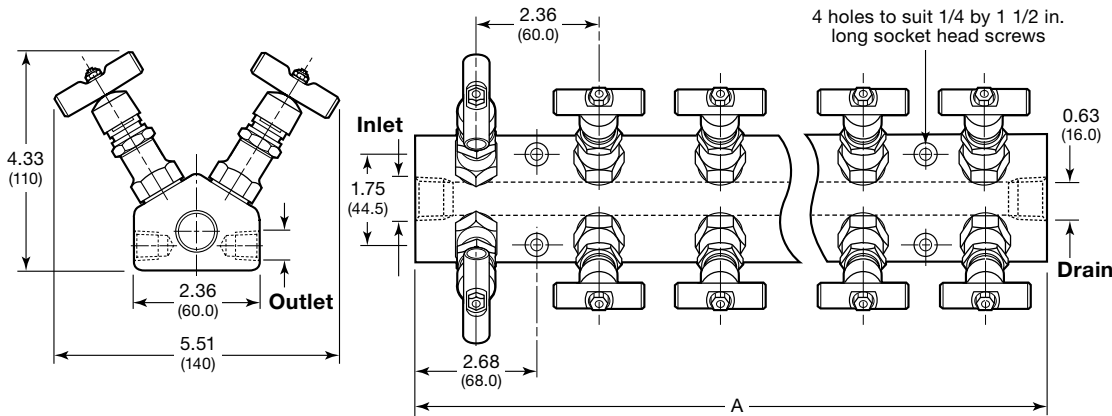
For these and other options and accessories, contact your authorized Swagelok® sales and service representative.

Pressure-Temperature Ratings

End Connection Size, in.	PTFE Seals		Graphite Seals	
	Temperature °F (°C)	Working Pressure psig (bar)	Temperature °F (°C)	Working Pressure psig (bar)
1/2 and 3/4	200 (93)	6000 (413)	200 (93)	6000 (413)
	400 (204)	4000 (275)	850 (454)	3000 (206)
1	200 (93)	3000 (206)	200 (93)	2000 (137)
	400 (204)	2000 (137)	850 (454)	1500 (103)

Ordering Information and Dimensions

Dimensions, in inches (millimeters), are for reference only and are subject to change.

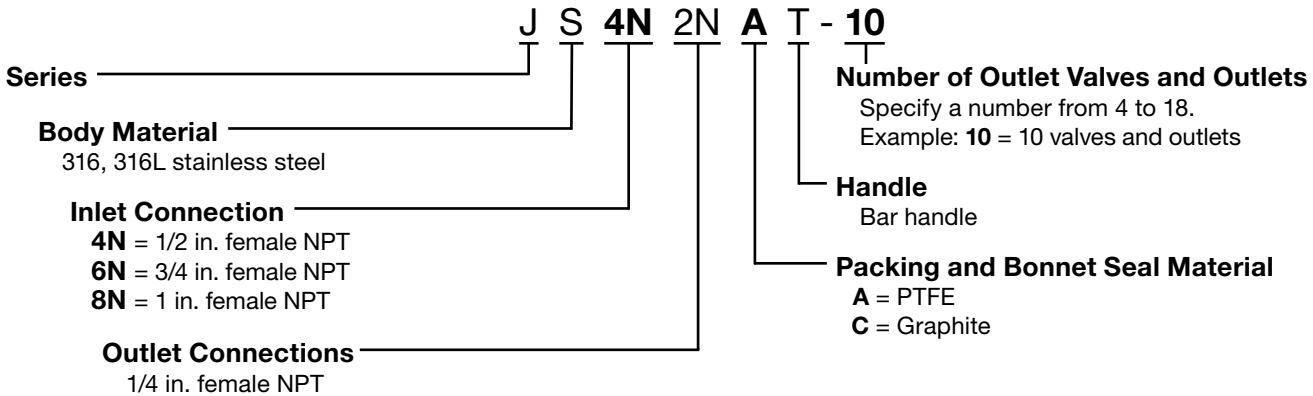


Number of Outlet Connections	A in. (mm)
4	5.35 (136)
6	7.72 (196)
8	10.1 (256)
10	12.4 (316)
12	14.8 (376)
14	17.2 (436)
16	19.6 (496)
18	21.9 (556)

Valve orifice—0.157 in. (4.0 mm)
 Inlet—1/2, 3/4, or 1 in. female NPT
 Outlets—1/4 in. female NPT
 Drain—1/2 in. female NPT

Ordering Number

Build a distribution manifold ordering number by combining the designators in the sequence shown below.



- ⚠ Packing adjustment may be required during the service life of the valve.
- ⚠ Valves that have not been cycled for a period of time may have a higher initial actuation torque.

Safe Product Selection

When selecting a product, the total system design must be considered to ensure safe, trouble-free performance. Function, material compatibility, adequate ratings, proper installation, operation, and maintenance are the responsibilities of the system designer and user.

Caution: Do not mix or interchange parts with those of other manufacturers.

Warranty Information

Swagelok products are backed by The Swagelok Limited Lifetime Warranty. For a copy, visit swagelok.com or contact your authorized Swagelok representative.